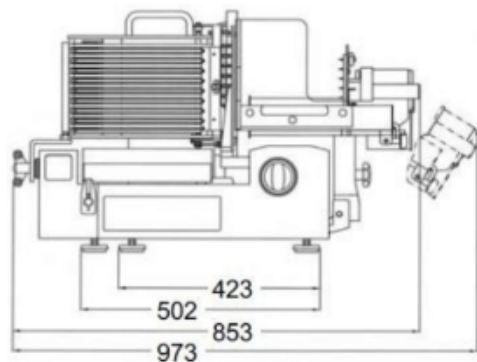
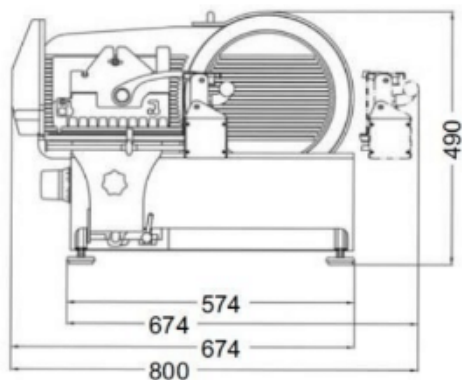


#### 1.4. Dimensions of the machine and technical data



Overall dimensions

w 853 x l 674 x h 490 mm

Counter space required

574 x 502 mm

Max. cutting size

approx. 255 x 195 mm

Gauge plate thickness (infinitely variable)

0 - 10 mm

Diameter of blade

330 mm

Sound level

< 54 db(A)

Weight

app. 75 kg

Voltage and cycles

see rating plate

Power

0.6 kW

\*This length measurement is based on a 360mm carriage. For other carriages, see below:

360 mm	530 mm	600 mm
853	1025	1095

\*\*This length measurement is based on a 360mm carriage. For other carriages, see below:

360 mm	530 mm	600 mm
973	1145	1215