

ROTISSERIE

SPECIFICATIONS

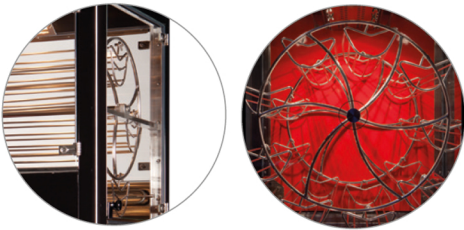
Model : **DECO RB 15**

Manufacturer :



DESIGN

Based on a traditional baskets-roast rotisserie oven, the DÉCO series stands out thanks to a third (lateral) window, giving you a panoramic view of the cooking process... With a fully enameled finish, this unit bathes in the glow of a double quartz lighting system. A real show for your customers!

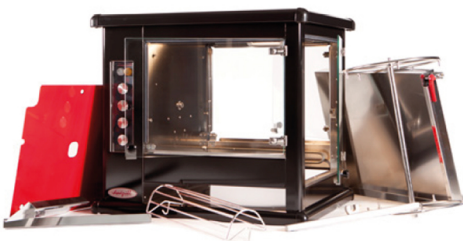


COOKING SYSTEM

15 chickens per hour.
Baskets for chickens, joints of meat... a static grill and oven mode for pizzas, special dishes... a central spit for large joints.

CLEANING

The interior can be fully dismantled.



PERFORMANCE

5 stainless steel baskets driven by a high-power motor, heated by 3 reinforced, "incoloy" infrared elements, high-temperature thermal seal joints (energy saving).

ERGONOMIC

Flat, protected control buttons, double-regulation thermostat oven control, automatic timed shut-off with a "temperature hold" mode.

COLORS

STANDARD

■ Signal Black
(RAL 9004)

STANDARD INTERIOR

■ Traffic red (RAL 3020)
or
■ Light ivory (RAL 1015)

ROTISSERIE

SPECIFICATIONS

Model : **DECO RB 15**

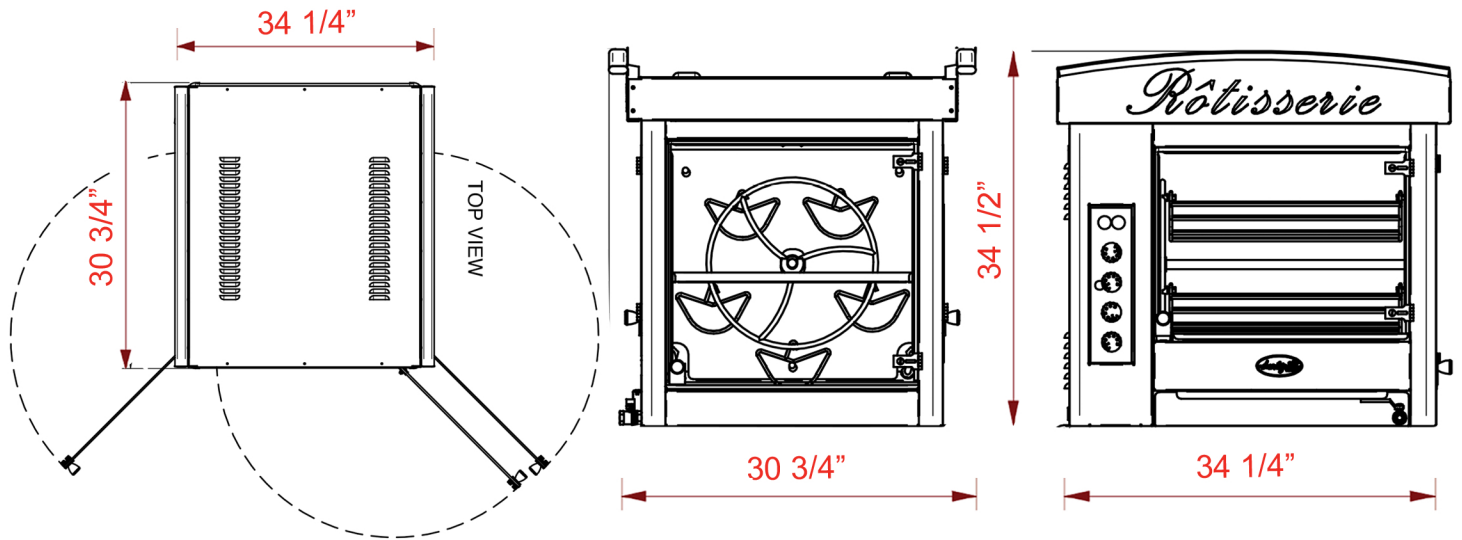
Manufacturer :



TOP VIEW

SIDE VIEW

FRONT VIEW



E 220 V Tri Phase 17.4 Amps.

ELECTRICAL SUPPLY

RB 15 DECO

220V Triphase
Power: 6.7KW

Model	Length	Height	Depth	Number of baskets	Power	Capacity per hour (depending on weight)
RB 15 Déco	34 1/4"	34 1/2"	30 3/4"	5	6.70 kW	15 Vol.
Oven	Length	Height	Depth	Power		
EB 15	34 1/4"	31"	28 3/4"	2.30 kW		