

ROTISSERIE

SPECIFICATIONS

Model : **MAG 58/4** Electric Version

Manufacturer :



DESIGN

Traditional Rotisserie with powerful lighting system.
Porcelain Enamel finish with choice of color available
Decorative roof with lighted rotisserie sign



COOKING SYSTEM

4 spits.

Each individual spit has its own unique heating element for a constant and fast cooking time.

Adjustable spits allow to cook any type of products from chicken to turkey, lamb, beef and vegetables.

A variety of attachments are also available such as basket spits and chicken spits.

Our rotisserie ingenious spit adjustment guarantees a perfect cooking regardless of the size of the product.
Individual motors.

CLEANING

Easy to clean and safe to maintain.

Removable back panels.

Rounded corners.

Drain Valve.



PERFORMANCE

Porcelain enamel finish and individual heating elements provide the best cooking system for poultry.
Fast and consistent from 24 to 28 chickens capacity in less than an hour.

The unique heating element system provides exceptional control and unmatched durability.

The porcelain enamel guarantees a non stick, most durable surface.

Patented prong-less spits.

Enameled panels.

COLORS

STANDARD

■ Signal Black
(RAL 9004)

OPTIONS

■ Purple Red (RAL 3004)
■ Traffic Red (RAL 3016)
■ Gentian Blue (RAL 5010)
■ Stainless Steel



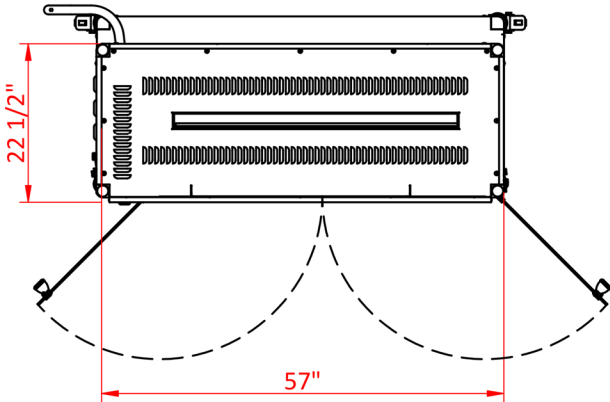
ROTISSERIE SPECIFICATIONS

Model : **MAG 58/4** Electric Version

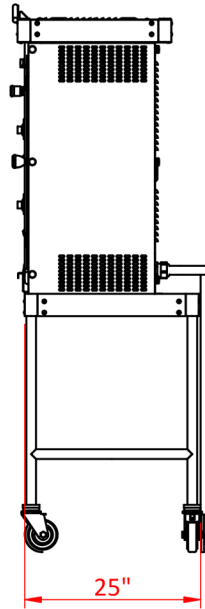
Manufacturer :



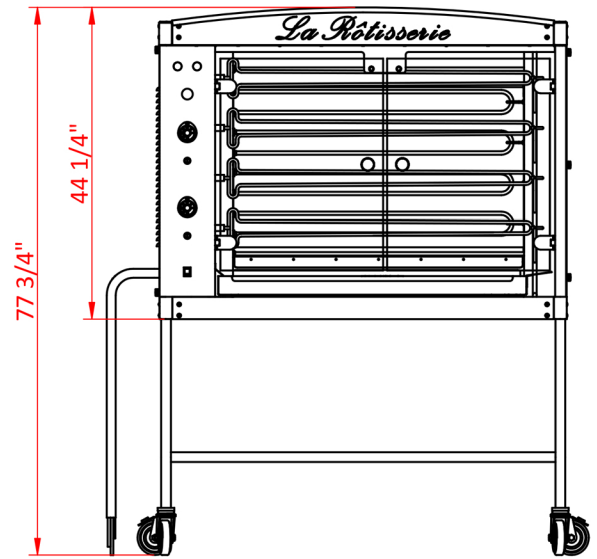
TOP VIEW



SIDE VIEW



FRONT VIEW



CE KCL AQ ANSI / NSF4 ANSI Z83.11b-2009 CSA 1.8-2009

Elec. Consumption	220V Tri Phase 20.6 Kw 54 Amps	STANDARD FEATURES
Capacity	Up to 24 with 3lbs Chicken Up to 28 with 2lbs Chicken	STD finish : Black Enamel with all Stainless steel trims
Warranty	1 Year parts and labor	4 spits
Venting	The rotisserie requires a type 1 grease type hood installed in accordance with all national and local codes	Bottom drip pan with drain valve
Min. Clearance	6" on the right, left and rear side	2 Tempered glass doors
Shipping Weight	450 lbs crated	4 casters with front brakes
		Individual Motors
		Roof with Lighted Rotisserie Sign